

# Landing gears · Modul B

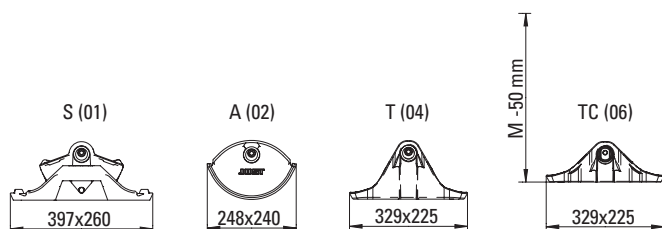
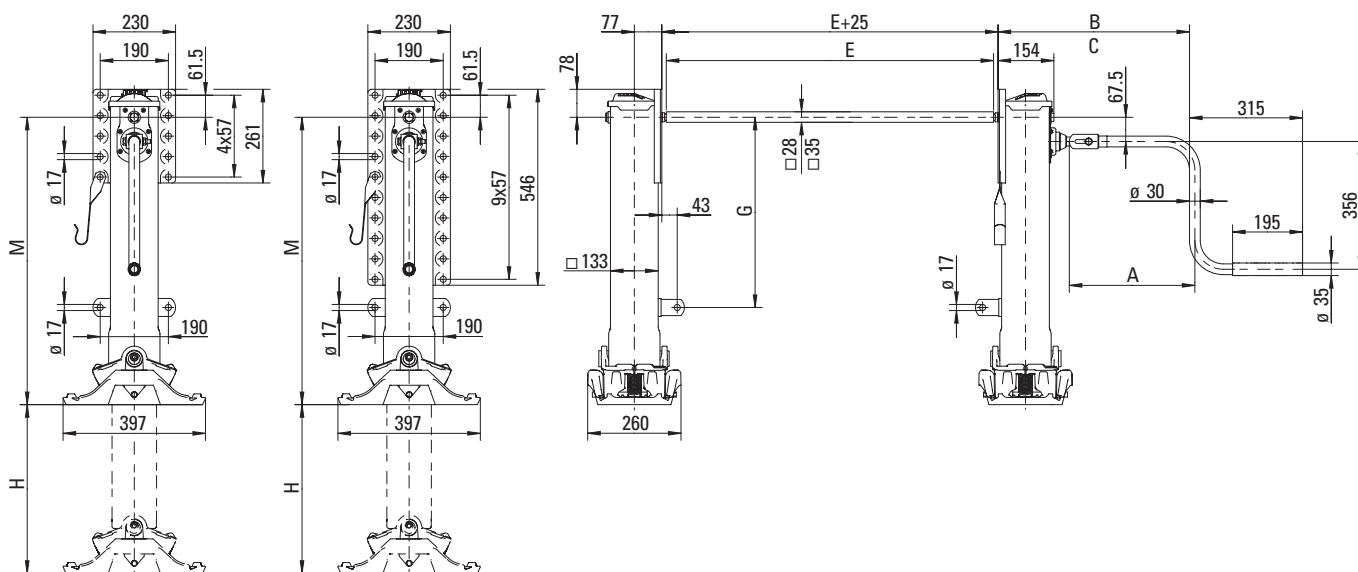
## Advantages at a glance

- Very versatile use
- Significant gain in lifting force
- Modular system and extensive spare parts catalogue

## Technical Features

- Six mounting heights
- Easy-to-assemble and easy-to-replace foot system with four different foot types
- S foot with the longest drift ( $\pm 140$  mm) and largest footprint
- Additional reinforcements for lateral-force resistance
- Three plate positions (high, low, double)
- Also available with two side operation and special crank

## Technical Specification



The drift for the S and A foot is  $\pm 140$  mm.  
Dimensions A, B, C and E, see page 132.

## Technical Data (per kit)

Characteristic	Value
Lifting capacity	24 t
Static test load	50 t
Lift per turn of handle	
- Low gear	0,9 mm
- High gear	15,0 mm
Crank force at 16 t lifting capacity	210 N



## Components and article numbers

M			O	D
Mounting height			Back plate	Type of foot
M	H	G		
01 = 900	560	630	01 = Position top	00 = without foot
02 = 850	520	580	02 = Position bottom*	<b>mounted</b>
03 = 800	470	530	03 = Double plate*	01 = S foot
04 = 750	430*	480		02 = A foot
05 = 700	400*	430		04 = T foot
06 = 650	350*	380		06 = TC foot**
<b>reinforced</b>				
21 = 900	470	630		
22 = 850	430	580		
23 = 800	400	530		
24 = 750	350*	480		

Please order separately!

U	L
Crank w. crank parking hook	Connection shaft
A	E
00 = without crank	00 = without
JS U01 = 350	JS L01 = 1340
JS U02 = 415	JS L02 = 1450
JS U03 = 450	JS L03 = 1470
JS U04 = 480	JS L04 = 1500
JS U05 = 520	JS L05 = 1505
JS U07 = 570	JS L06 = 1575
JS U08 = 620	JS L07 = 1605
	JS L08 = 1635
	JS L09 = 1700
	JS L10 = 1790

\* no bracing brackets are supplied for **the combination of mounting heights 04, 05, 06, 24 with back plate 02, 03.**  
See accessories for loose bracing brackets.

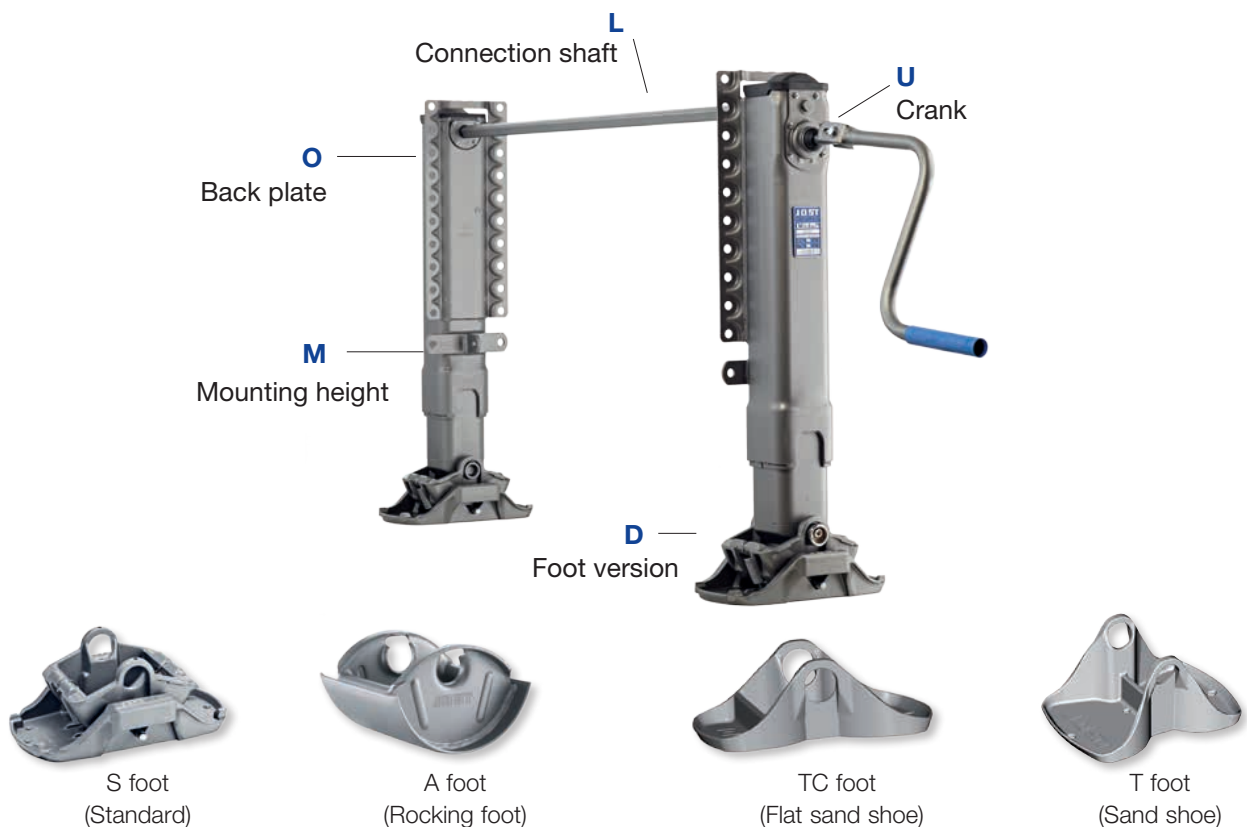
\*\* can be used without restriction on Modul legs produced after week 22/02. On Modul legs produced before that the angle of movement is reduced by  $\pm 10^\circ$ .

Landing gear with foot "R" (Wheels) please refer to MODUL CW (see page 170).

## Individual components

The module components **U** (crank with crank parking hook) and **L** (connection shaft) must be ordered separately and are available individually. The type of feet **D** are likewise available separately; see page 132.

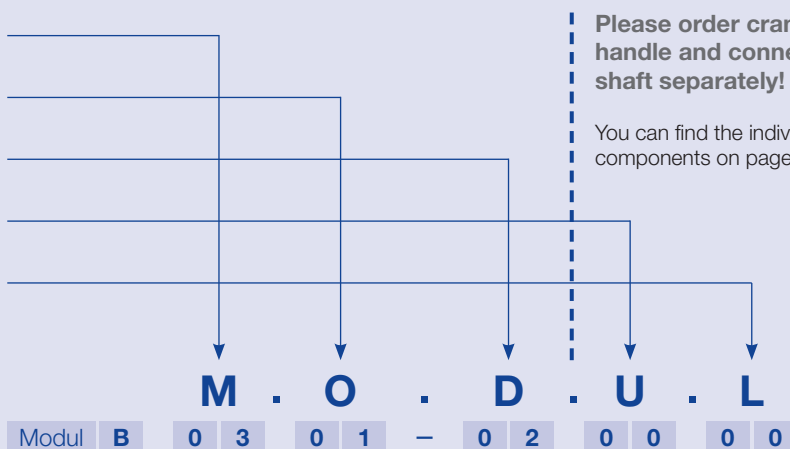
## Modul B – components and foot versions



### Example of an article number for one set

The complete article number to order the Modul is made up of the article numbers of the various components. First choose **the individual components**. Each component has a 2-figure article number. List **all the components (in other words all the article numbers)** in sequence.

- M** Mounting height 800 mm = **03**
- O** Back plate top = **01**
- D** Foot version (A foot) = **02**
- U** Crank length = **00**
- L** Connection shaft = **00**

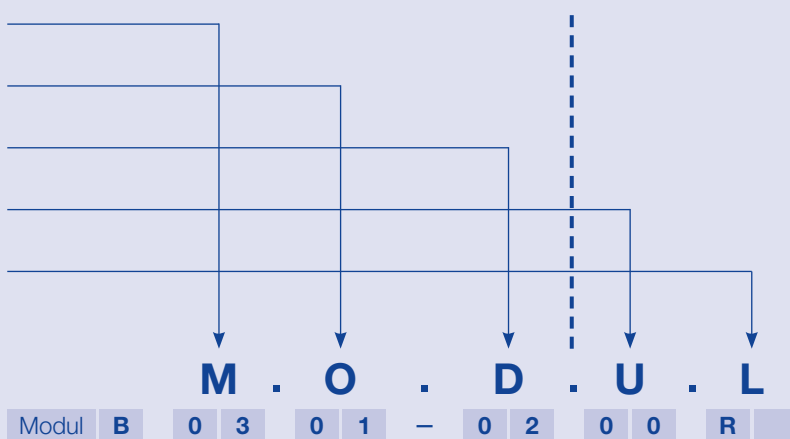


Example: Mounting height 800 mm; back plate top, A foot; crank length 350 mm; connection shaft 1470 mm  
**= Article number B0301-020000 + JS U01 + JS L03**

### Example of an article number for a single leg

If you order a **single leg** the **connection shaft** will not be supplied. In this case enter 00 at **U** and at **L** an **R** for right (crank side) or an **L** for left.

- M** Mounting height 800 mm = **03**
- O** Back plate top = **01**
- D** Foot version (A foot) = **02**
- U** Crank length = **00**
- L** Connection shaft = **R or L**

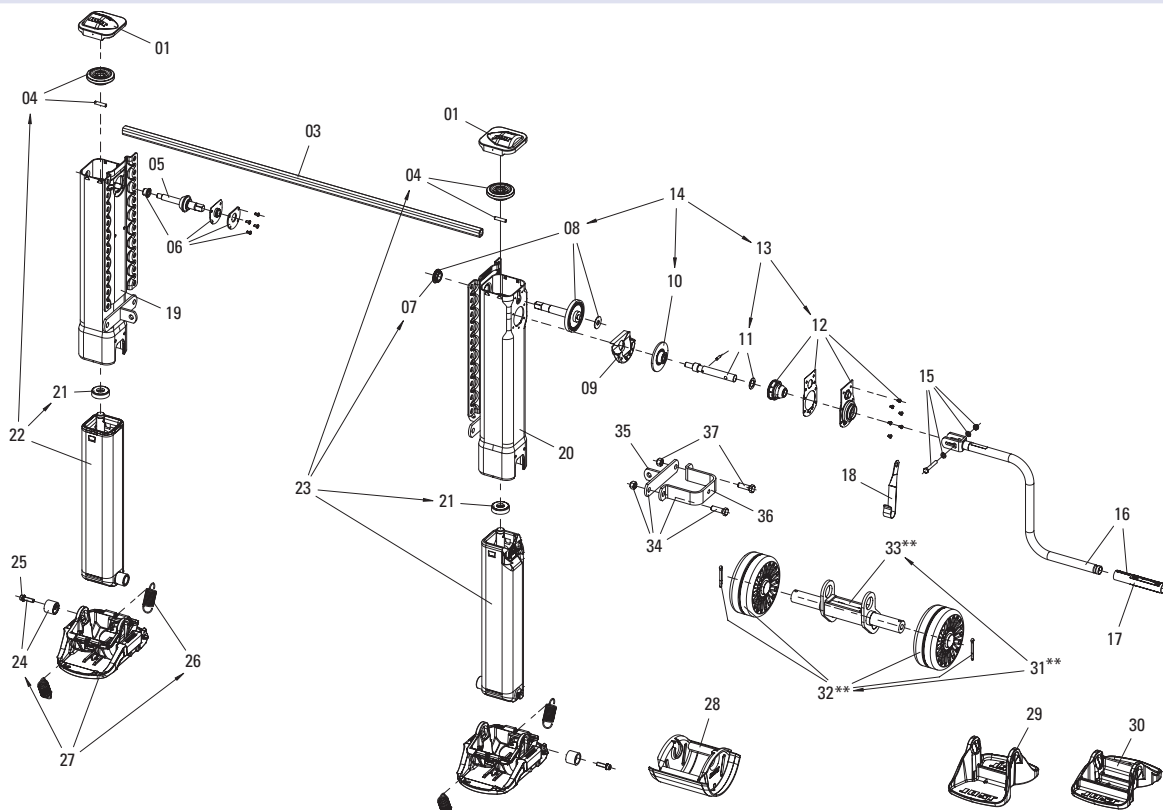


Example: right side; mounting height 800 mm; back plate top, A foot; crank length 350 mm; connection shaft 1470 mm  
**= Article number B0301-0200R + JS U01 + JS L03**



# Modul B

## Spare parts



Item	Description	Remark	Order No.	per kit
01	Cover with bolts		JS E0046100	2
03	See individual components			
04	Bevel gear with bolts	from 020719/0126097	JS E0058600	2
05	Shaft		JS E0001500	1
06	Bearing	compl.	JS E0046200	1
07	Bearing		JS E0001800	1
08	Shaft with bearing	a	JS E0058700	1
09	Grease tank	a	JS E0002000	1
10	Gear	a	JS E0055800	1
11	Crank shaft	compl.	JS E0046500	1
12	Bearing holder	compl., a	JS E0058800	1
13	Crank shaft and bearing holder	compl., with 11 + 12, a	JS E0056600	1
14	Drive	compl., with 08, 10 + 13, a, c	JS E0083700	1
15	Bolts, washers, nuts		JS E0043100	1
16	See individual components			
17	Crank bushing		JS E0042700	1
18	Crank parking hook	for crank 350 mm, (JS U01), b	JS E0040200	1
18	Crank parking hook	for crank 415–480 mm, (JS U02–JS U04), b	JS E0040201	1
18	Crank parking hook	for crank 520–620 mm (JS U05–JS U08), b	JS E0040202	1
19	Mh-01/900 Shaft left	Plate A, top	JS E0031800	1
19	Mh-02/850 Shaft left	Plate A, top	JS E0031801	1
19	Mh-03/800 Shaft left	Plate A, top	JS E0031802	1
19	Mh-04/750 Shaft left	Plate A, top	JS E0031803	1
19	Mh-05/700 Shaft left	Plate A, top	JS E0031804	1
19	Mh-06/650 Shaft left	Plate A, top	JS E0031805	1
19	Mh-01/900 Shaft left	Plate A, bottom	JS E0031300	1
19	Mh-02/850 Shaft left	Plate A, bottom	JS E0031301	1
19	Mh-03/800 Shaft left	Plate A, bottom	JS E0031302	1
19	Mh-04/750 Shaft left	Plate A, bottom	JS E0031303	1
19	Mh-05/700 Shaft left	Plate A, bottom	JS E0031304	1
19	Mh-06/650 Shaft left	Plate A, bottom	JS E0031305	1
19	Mh-01/900 Shaft left	Double plate	JS E0030800	1
19	Mh-02/850 Shaft left	Double plate	JS E0030801	1
19	Mh-03/800 Shaft left	Double plate	JS E0030802	1
19	Mh-04/750 Shaft left	Double plate	JS E0030803	1
19	Mh-05/700 Shaft left	Double plate	JS E0030804	1
19	Mh-06/650 Shaft left	Double plate	JS E0030805	1
20	Mh-01/900 Shaft right	Plate A, top	JS E0028600	1

Item	Description	Remark	Order No.	per kit
20	Mh-02/850 Shaft right	Plate A, top	JS E0028601	1
20	Mh-03/800 Shaft right	Plate A, top	JS E0028602	1
20	Mh-04/750 Shaft right	Plate A, top	JS E0028603	1
20	Mh-05/700 Shaft right	Plate A, top	JS E0028604	1
20	Mh-06/650 Shaft right	Plate A, top	JS E0028605	1
20	Mh-01/900 Shaft right	Plate A, bottom	JS E0029700	1
20	Mh-02/850 Shaft right	Plate A, bottom	JS E0029701	1
20	Mh-03/800 Shaft right	Plate A, bottom	JS E0029702	1
20	Mh-04/750 Shaft right	Plate A, bottom	JS E0029703	1
20	Mh-05/700 Shaft right	Plate A, bottom	JS E0029704	1
20	Mh-06/650 Shaft right	Plate A, bottom	JS E0029705	1
20	Mh-01/900 Shaft right	Double plate	JS E0029200	1
20	Mh-02/850 Shaft right	Double plate	JS E0029201	1
20	Mh-03/800 Shaft right	Double plate	JS E0029202	1
20	Mh-04/750 Shaft right	Double plate	JS E0029203	1
20	Mh-05/700 Shaft right	Double plate	JS E0029204	1
20	Mh-06/650 Shaft right	Double plate	JS E0029205	1
21	Axial bearing *****		JS E0066401	2
22	Mh-01/900 inner tube l. + spindle	with 21 + 04	JS E0056401	1
22	Mh-02/850 inner tube l. + spindle	with 21 + 04	JS E0056402	1
22	Mh-03/800 inner tube l. + spindle	with 21 + 04	JS E0056403	1
22	Mh-04/750 inner tube l. + spindle	with 21 + 04	JS E0056404	1
22	Mh-05/700 inner tube l. + spindle	with 21 + 04	JS E0056405	1
22	Mh-06/650 inner tube l. + spindle	with 21 + 04	JS E0056406	1
23	Mh-01/900 inner tube r. + spindle	with 21, 07 + 04	JS E0056201	1
23	Mh-02/850 inner tube r. + spindle	with 21, 07 + 04	JS E0056202	1
23	Mh-03/800 inner tube r. + spindle	with 21, 07 + 04	JS E0056203	1
23	Mh-04/750 inner tube r. + spindle	with 21, 07 + 04	JS E0056204	1
23	Mh-05/700 inner tube r. + spindle	with 21, 07 + 04	JS E0056205	1
23	Mh-06/650 inner tube r. + spindle	with 21, 07 + 04	JS E0056206	1
24	Nut and bolt***		JS E1043300	2
25	Nuts		JS E0055300	4
26	Spring		JS E0012900	4
27	S-Foot	compl., with 24 + 26****	JS D01	2
28	A-Foot	compl., with 24****	JS D02	2
29	T-Foot	compl., with 24****	JS D04	2
30	TC-Foot	compl., with 24* & ****	JS D06	2
31	R-Foot**	compl., with 24, 32 + 33*	JS D03	2
32	Wheels with split pins**		JS E0062200	2
33	Wheel holder**		JS E0067300	2
34	Clamp with angle	with 35, 36 + 37	JS E010.010	2
35	Angle		JS E010.001	2
36	Clamp		JS E010.002	2
37	Nut and bolt		JS E020.004	2

a From 020121/0009246

b Crank kit see page 132

c Also module 2000 (replacement for JS E0059200)

\* With the 06/TC foot version, item 30, the installation height Mh is reduced by 50 mm

\* With the 03/roller foot version, item 31, the installation height Mh is increased by 43 mm

\*\* Item 31, 32, 33: only for landing gears up to September 2009 (up to 091009 131204)

\*\*\* Nut and bolt up to September 2009 Order No. JS E1043300 (4 per Kit)

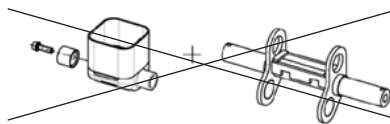
\*\*\* Nut and bolt from September 2009 Order No. JS E1043300 (2 per Kit)

\*\*\*\* Only one fitting included in scope of delivery

\*\*\*\*\* Replaces version with washer

#### Note on the new foot mounting

Since September 2009, module B has a new foot mounting which is only screwed on one side. On NO account must the wheel holder be attached with this execution of leg!



## Individual components

Item	Description	Remark	Order No.	per kit	Item	Description	Remark	Order No.	per kit
03	Connection shaft 1340 mm		JS L01	1	16	Crank 350 mm w. parking hook	with 15, 17 + 18	JS U01	1
03	Connection shaft 1450 mm		JS L02	1	16	Crank 415 mm w. parking hook	with 15, 17 + 18	JS U02	1
03	Connection shaft 1470 mm		JS L03	1	16	Crank 450 mm w. parking hook	with 15, 17 + 18	JS U03	1
03	Connection shaft 1500 mm		JS L04	1	16	Crank 480 mm w. parking hook	with 15, 17 + 18	JS U04	1
03	Connection shaft 1505 mm		JS L05	1	16	Crank 520 mm w. parking hook	with 15, 17 + 18	JS U05	1
03	Connection shaft 1575 mm		JS L06	1	16	Crank 570 mm w. parking hook	with 15, 17 + 18	JS U07	1
03	Connection shaft 1605 mm		JS L07	1	16	Crank 620 mm w. parking hook	with 15, 17 + 18	JS U08	1
03	Connection shaft 1635 mm		JS L08	1					
03	Connection shaft 1700 mm		JS L09	1					
03	Connection shaft 1790 mm		JS L10	1					