

# Electric landing gear · Modul E-Drive

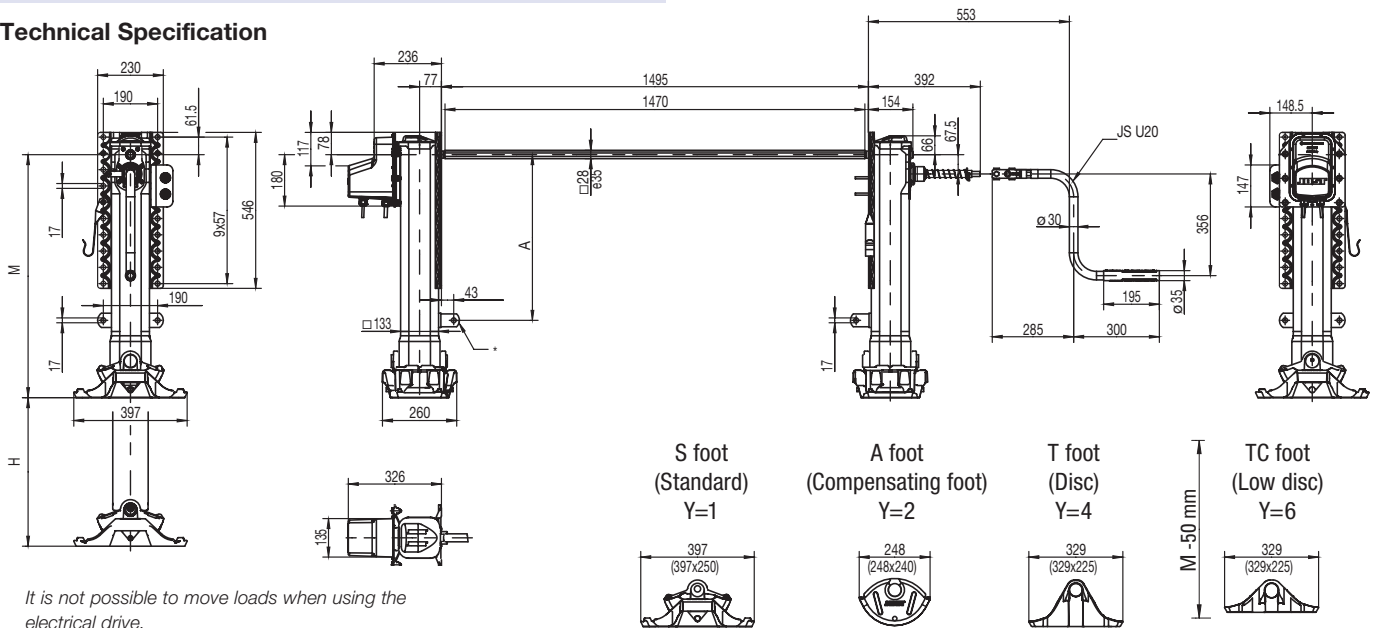
## Advantages at a glance

- Electric raising and lowering of the landing gear
- Simple operation at the push of a button
- Perfectly suited to and highly useful in frequent coupling operations
- Particularly useful in narrow spaces and for frequent coupling and decoupling
- Time savings during decoupling

## Technical Features

- Drive shuts down automatically in the event of ground contact
- Differences in height between the truck and the trailer can be compensated using the vehicle's pneumatic suspension or manual cranking in the low gear
- Manual operation still possible
- Suitable for operating temperatures between -20 °C and +85 °C
- Various mounting heights with an especially large lift
- Based on the highly reliable and robust Modul series

## Technical Specification



## Selection table / Versions available

Order No.	M (mm)	H (mm)	A (mm)	Back plate
B0103-0Y0000ED	900	560	630	Double plate
B0203-0Y0000ED	850	520	580	Double plate
B0303-0Y0000ED	800	470	530	Double plate
B0403-0Y0000ED	750	430	480*	Double plate
B0503-0Y0000ED	700	400	430*	Double plate
B0603-0Y0000ED	650	350	380*	Double plate

**Y** When ordering, please replace with the number for the requested type of foot:  
 1 = S-foot; 2 = A-foot; 4 = T-foot; 6 = TC-foot, Example for S-foot: B0103-010000ED

## Technical Data (per kit)

Characteristic	Value
Lifting capacity*	24 t
Static test load	50 t
Lift per turn of handle	
- Low gear*	0,9 mm
- High gear*	15,0 mm
Crank force at 16 t lifting capacity	210 N
Power supply	24 V
Protection	min. 15 A

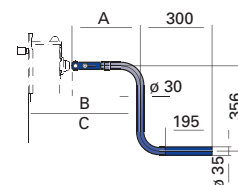
Optional: Switching to 20 A mode possible with appropriate protection\*\*

\*for manual operation; \*\*temporary or permanent

## Crank handles

Various crank handle lengths for individual adjustment to the vehicle width.

Order No.	A (mm)	B (Low gear, mm)	C (High gear, mm)
JS U20	285	534	553
JS U21	385	634	653
JS U22	405	654	673
JS U23	450	699	718
JS U24	505	754	773
JS U25	550	799	818



### Remark:

Other models available on request.

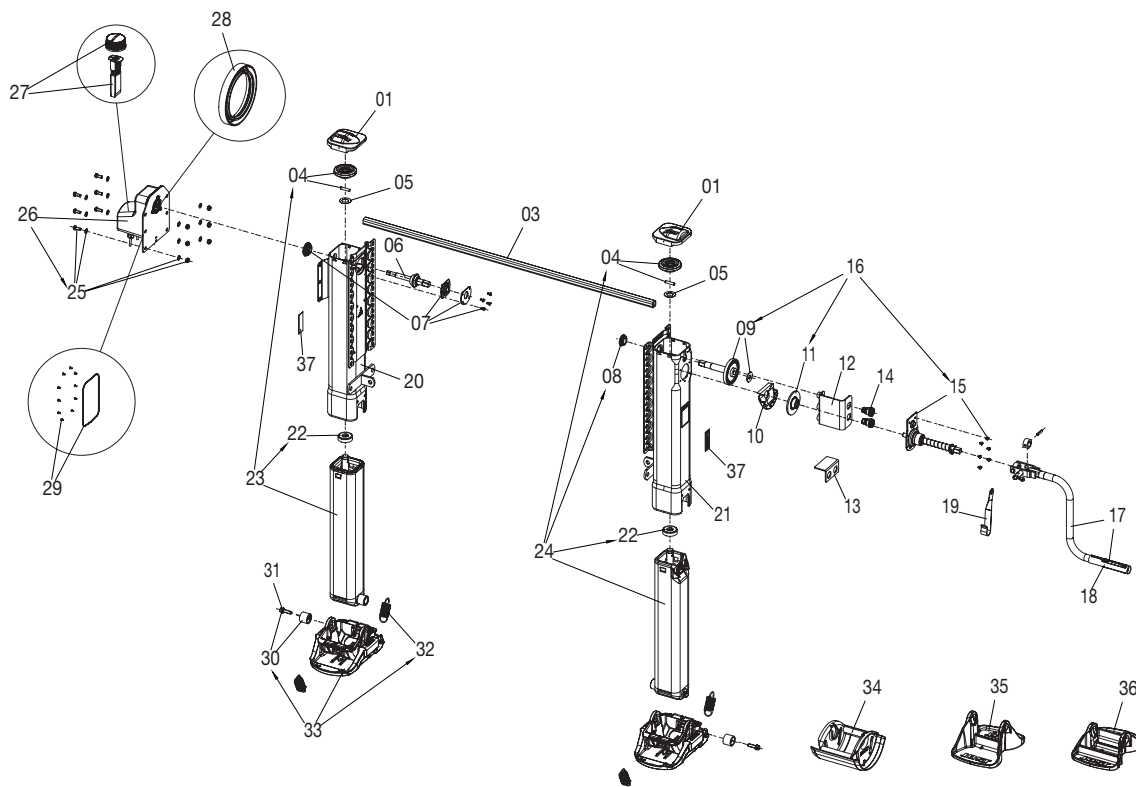
\* If the installation height 650–750 is combined with double plate and plate, no bracing brackets will be delivered. Please refer to accessories for bracing brackets.

Crank handles, connection shafts and bracing brackets need to be ordered separately and are shipped unassembled.

Order numbers and dimensions of A, B, C and E can be found on page 132.

# Modul E-Drive

## Spare parts



Item	Description	Remark	Order No.	per kit
01	Cover with bolts		JS E0046100	2
03	See individual components			1
04	Bevel gear with bolts		JS E0058600	2
05	Washer		JS E7010400	2
06	Shaft		JS E7010200	1
07	Bearing	compl.	JS E7014300	1
08	Bearing		JS E0001800	1
09	Shaft with bearing		JS E0058700	1
10	Grease tank		JS E0002000	1
11	Gear		JS E0055800	1
12	Console		JS E7011500	1
13	Console, universal		JS E7011700	1
14	Push switch		JS E7011300	2
15	Crank shaft with bearing		JS E7007000	1
16	Drive	compl. with 09, 11 + 15	JS E7014400	1
17	See individual components			1
18	Crank bushing		JS E0042700	1
19	Crank parking hook	for crank 285–385 mm	JS E0040201	1
19	Crank parking hook	for crank 405–550 mm	JS E0040202	1
20	Mh-01/900 Shaft left	Plate A, top	JS E7012401	1
20	Mh-02/850 Shaft left	Plate A, top	JS E7012402	1
20	Mh-03/800 Shaft left	Plate A, top	JS E7012403	1
20	Mh-04/750 Shaft left	Plate A, top	JS E7012404	1
20	Mh-05/700 Shaft left	Plate A, top	JS E7012405	1
20	Mh-06/650 Shaft left	Plate A, top	JS E7012406	1
20	Mh-01/900 Shaft left	Plate A, bottom	JS E7012501	1
20	Mh-02/850 Shaft left	Plate A, bottom	JS E7012502	1
20	Mh-03/800 Shaft left	Plate A, bottom	JS E7012503	1
20	Mh-04/750 Shaft left	Plate A, bottom	JS E7012504	1
20	Mh-05/700 Shaft left	Plate A, bottom	JS E7012505	1
20	Mh-06/650 Shaft left	Plate A, bottom	JS E7012506	1
20	Mh-01/900 Shaft left	Double plate	JS E7012601	1
20	Mh-02/850 Shaft left	Double plate	JS E7012602	1



Item	Description	Remark	Order No.	per kit
20	Mh-03/800 Shaft left	Double plate	JS E7012603	1
20	Mh-04/750 Shaft left	Double plate	JS E7012604	1
20	Mh-05/700 Shaft left	Double plate	JS E7012605	1
20	Mh-06/650 Shaft left	Double plate	JS E7012606	1
21	Mh-01/900 Shaft right	Plate A, top	JS E7012101	1
21	Mh-02/850 Shaft right	Plate A, top	JS E7012102	1
21	Mh-03/800 Shaft right	Plate A, top	JS E7012103	1
21	Mh-04/750 Shaft right	Plate A, top	JS E7012104	1
21	Mh-05/700 Shaft right	Plate A, top	JS E7012105	1
21	Mh-06/650 Shaft right	Plate A, top	JS E7012106	1
21	Mh-01/900 Shaft right	Plate A, bottom	JS E7012201	1
21	Mh-02/850 Shaft right	Plate A, bottom	JS E7012202	1
21	Mh-03/800 Shaft right	Plate A, bottom	JS E7012203	1
21	Mh-04/750 Shaft right	Plate A, bottom	JS E7012204	1
21	Mh-05/700 Shaft right	Plate A, bottom	JS E7012205	1
21	Mh-06/650 Shaft right	Plate A, bottom	JS E7012206	1
21	Mh-01/900 Shaft right	Double plate	JS E7012301	1
21	Mh-02/850 Shaft right	Double plate	JS E7012302	1
21	Mh-03/800 Shaft right	Double plate	JS E7012303	1
21	Mh-04/750 Shaft right	Double plate	JS E7012304	1
21	Mh-05/700 Shaft right	Double plate	JS E7012305	1
21	Mh-06/650 Shaft right	Double plate	JS E7012306	1
22	Axial bearing		JS E0066401	2
23	Mh-01/900 inner tube l. + spindle	with 22 + 04	JS E0056401	1
23	Mh-02/850 inner tube l. + spindle	with 22 + 04	JS E0056402	1
23	Mh-03/800 inner tube l. + spindle	with 22 + 04	JS E0056403	1
23	Mh-04/750 inner tube l. + spindle	with 22 + 04	JS E0056404	1
23	Mh-05/700 inner tube l. + spindle	with 22 + 04	JS E0056405	1
23	Mh-06/650 inner tube l. + spindle	with 22 + 04	JS E0056406	1
24	Mh-01/900 inner tube r. + spindle	with 22, 08 + 04	JS E0056201	1
24	Mh-02/850 inner tube r. + spindle	with 22, 08 + 04	JS E0056202	1
24	Mh-03/800 inner tube r. + spindle	with 22, 08 + 04	JS E0056203	1
24	Mh-04/750 inner tube r. + spindle	with 22, 08 + 04	JS E0056204	1
24	Mh-05/700 inner tube r. + spindle	with 22, 08 + 04	JS E0056205	1
24	Mh-06/650 inner tube r. + spindle	with 22, 08 + 04	JS E0056206	1
25	Nut and bolt E-Engine		JS E7014500	6
26	E-Engine	with 25	JS E7011000	1
27	Kit Carbon brush with lock cap		JS E7014200	1
28	Seal		JS E7014100	1
29	Bolt and seal		JS E7014800	1
30	Nut and bolt		JS E1043300	2
31	Bolt		JS E0055300	2
32	Spring		JS E0012900	4
33	S-Foot	compl. with 30 + 32	JS D01	2
34	A-Foot	compl. with 30	JS D02	2
35	T-Foot	compl. with 30	JS D04	2
36	TC-Foot*	compl. with 30	JS D06	2
37	Warning label		JS E7015500	2

\* With the 06/TC foot version. item 36, the installation height is reduced by 50 mm.

## Individual components

Item	Description	Remark	Order No.	per kit	Item	Description	Remark	Order No.	per kit
03	Connection shaft 1340 mm		JS L01	1	17	Crank 285 mm	with 18 + 19	JS U20	1
03	Connection shaft 1450 mm		JS L02	1	17	Crank 385 mm	with 18 + 19	JS U21	1
03	Connection shaft 1470 mm		JS L03	1	17	Crank 405 mm	with 18 + 19	JS U22	1
03	Connection shaft 1500 mm		JS L04	1	17	Crank 450 mm	with 18 + 19	JS U23	1
03	Connection shaft 1505 mm		JS L05	1	17	Crank 505 mm	with 18 + 19	JS U24	1
03	Connection shaft 1575 mm		JS L06	1	17	Crank 550 mm	with 18 + 19	JS U25	1
03	Connection shaft 1605 mm		JS L07	1					
03	Connection shaft 1635 mm		JS L08	1					
03	Connection shaft 1700 mm		JS L09	1					
03	Connection shaft 1790 mm		JS L10	1					