

Landing gears · Modul CA

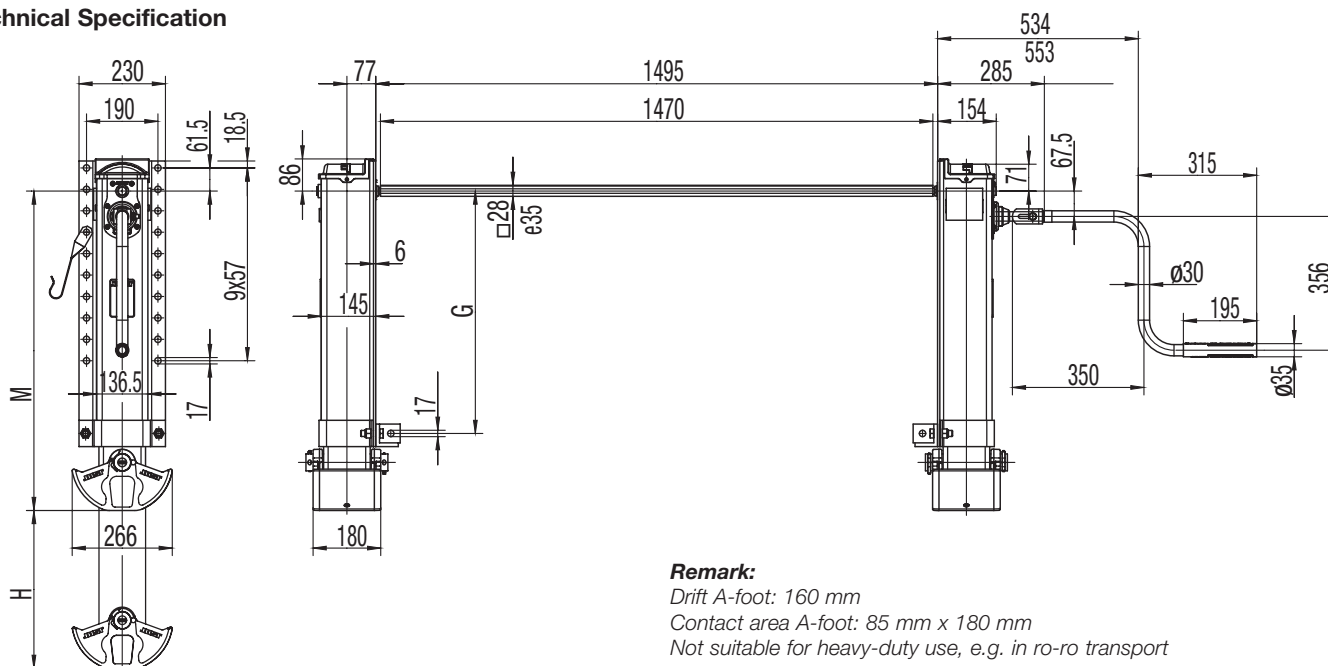
Advantages at a glance

- Weight-optimised
- Especially suited for tank and silo vehicles
- Low maintenance – no need to lubricate the spindle
- Innovative A foot with a large contact area and a particularly long drift
- Continuous back plate for high variability during installation

Technical Features

- High-quality, especially light aluminium design
- Integrated lubricant cartridge
- Also available with two side operation and special crank
- Aluminium landing gears are delivered in untreated form (natural aluminium)

Technical Specification



Remark:

Drift A-foot: 160 mm
 Contact area A-foot: 85 mm x 180 mm
 Not suitable for heavy-duty use, e.g. in ro-ro transport

Crank handles and connection shafts need to be ordered separately and are shipped unassembled.
 Order numbers can be found on page 132.

Selection table / Versions available

Order No.	Foot	Weight (kg)	Back plate	M (mm)	H (mm)	G (mm)
CA101420000	A	65,0	full length	900	470	695
CA102420000	A	62,5	full length	850	420	645
CA103420000	A	60,0	full length	800	370	595
CA104420000	A	57,5	full length	750	320	545

Technical Data (per kit)

Characteristic	Value
Lifting capacity	24 t
Static test load	50 t
Lift per turn of handle	
- Low gear	0,9 mm
- High gear	15,0 mm
Crank force at 16 t lifting capacity	210 N

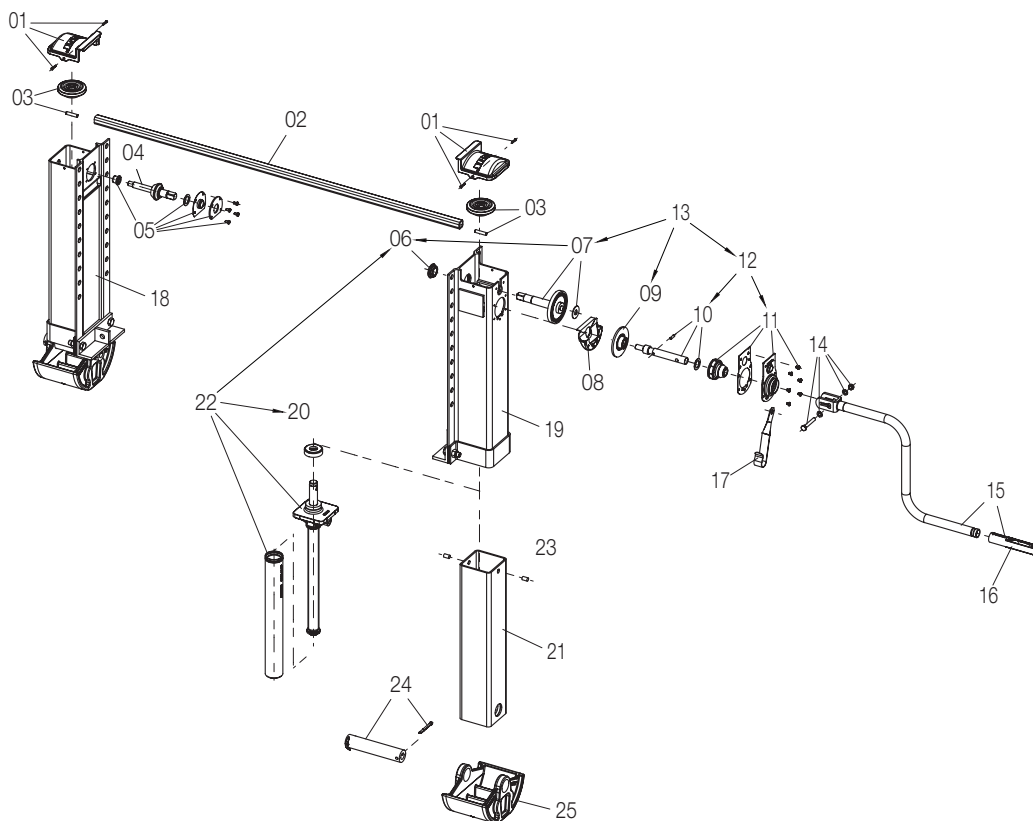
Accessories

Mounting kit JS E020.001
 Intermediate layer for corrosion protection JS2118-0003
 (for the joints between the support and the vehicle frame)



Modul CA

Spare parts



Item	Description	Remark	Order No.	per kit
01	Cover with bolts		JS E0111000	2
02	See individual components			1
03	Bevel gear with bolts		JS E0058600	2
04	Shaft		JS E0001500	1
05	Bearing	compl.	JS E0114000	1
06	Bearing		JS E0001800	1
07	Shaft with bearing		JS E0058700	1
08	Grease tank		JS E0002000	1
09	Gear		JS E0055800	1
10	Crank shaft	compl.	JS E0046500	1
11	Bearing holder	compl.	JS E0111500	1
12	Crankshaft and bearing holder	compl., with 10 + 11	JS E0111900	1
13	Drive	compl., with 07, 09 + 12	JS E0117000	1
14	Bolts, washers, nuts		JS E0043100	1
15	See individual components			1
16	Crank bushing		JS E0042700	1
17	Crank parking hook	for crank 350 mm (JS U01)	JS E0040200	1
17	Crank parking hook	for crank 415–480 mm (JS U02-JS U04)	JS E0040201	1
17	Crank parking hook	for crank 520 mm (JS U05)	JS E0040202	1
18	Mh-01/900 Shaft left		JS E0113501	1
18	Mh-02/850 Shaft left		JS E0113502	1
18	Mh-03/800 Shaft left		JS E0113503	1
18	Mh-04/750 Shaft left		JS E0113504	1
19	Mh-01/900 Shaft right		JS E0112601	1
19	Mh-02/850 Shaft right		JS E0112602	1
19	Mh-03/800 Shaft right		JS E0112603	1
19	Mh-04/750 Shaft right		JS E0112604	1
20	Axial bearing		JS E0066401	2
21	Mh-01/900 Inner tube		JS E0113101	2
21	Mh-02/850 Inner tube		JS E0113102	2
21	Mh-03/800 Inner tube		JS E0113103	2
21	Mh-04/750 Inner tube		JS E0113104	2

Item	Description	Remark	Order No.	per kit
22	Mh-01/900 spindle	with 20 + 06	JS E0112801	2
22	Mh-02/850 spindle	with 20 + 06	JS E0112802	2
22	Mh-03/800 spindle	with 20 + 06	JS E0112803	2
22	Mh-04/750 spindle	with 20 + 06	JS E0112804	2
23	Cylindrical pin		JS1120-0007	4
24	Shaft with split pins		JS E0111800	2
25	A-Foot	compl. with 24	JS D02CA	2

Individual components

Item	Description	Remark	Order No.	per kit	Item	Description	Remark	Order No.	per kit
02	Connection shaft 1340 mm		JS L01	1	15	Crank 350 mm w. parking hook	with 15, 17 + 18	JS U01	1
02	Connection shaft 1450 mm		JS L02	1	15	Crank 415 mm w. parking hook	with 15, 17 + 18	JS U02	1
02	Connection shaft 1470 mm		JS L03	1	15	Crank 450 mm w. parking hook	with 15, 17 + 18	JS U03	1
02	Connection shaft 1500 mm		JS L04	1	15	Crank 480 mm w. parking hook	with 15, 17 + 18	JS U04	1
02	Connection shaft 1505 mm		JS L05	1	15	Crank 520 mm w. parking hook	with 15, 17 + 18	JS U05	1
02	Connection shaft 1575 mm		JS L06	1					
02	Connection shaft 1605 mm		JS L07	1					
02	Connection shaft 1635 mm		JS L08	1					
02	Connection shaft 1700 mm		JS L09	1					
02	Connection shaft 1790 mm		JS L10	1					

